



# Access Panel Range

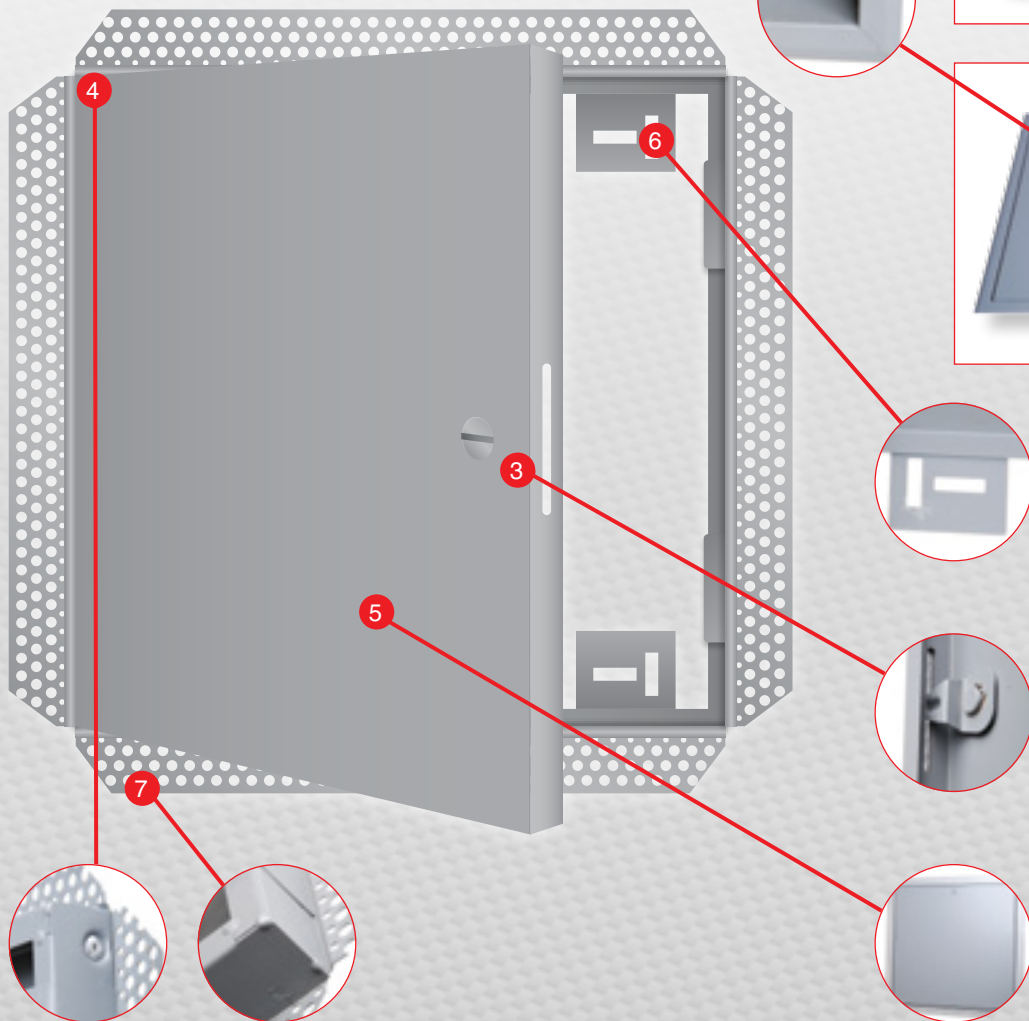
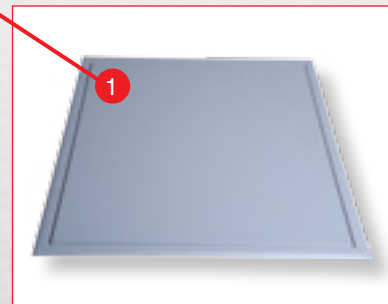
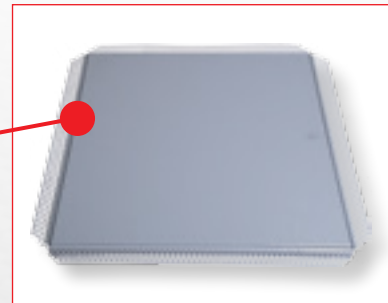
Metal Standard

**APPLICATION:** Wallboard Tools metal standard access panels allow access behind walls or ceilings where fire and sound rating is not required.

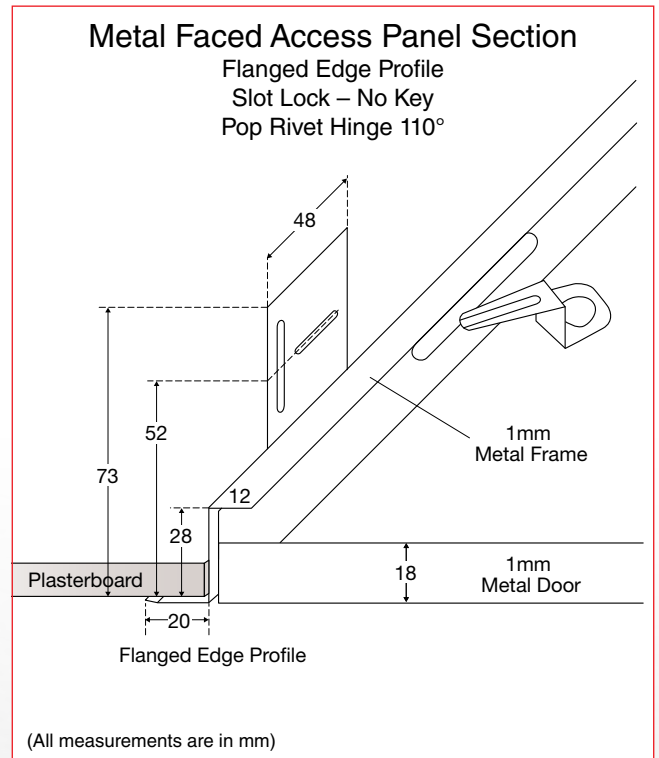
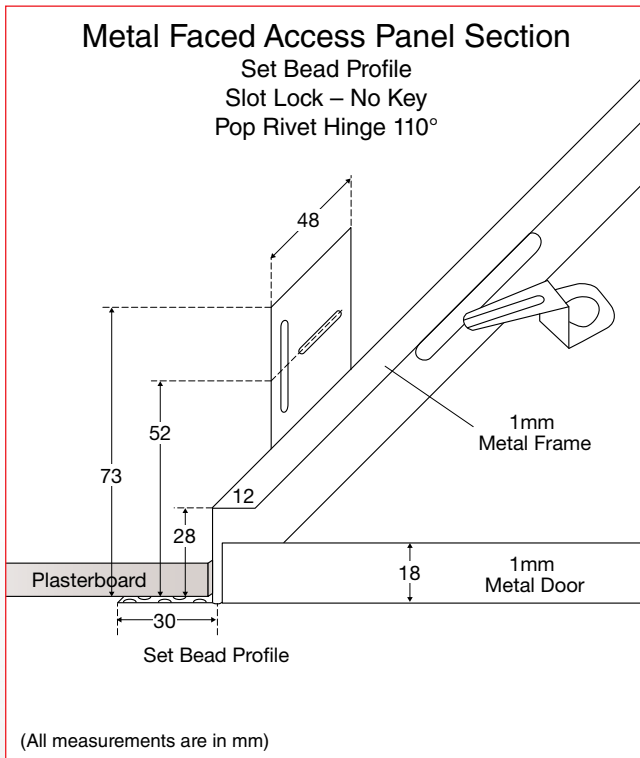
**FEATURES:**

- Exposed flanged finish<sup>(1)</sup> or ready to set surround<sup>(2)</sup>
- Slotted budget lock<sup>(3)</sup> or double tip latch with safety chain\*
- Concealed hinges<sup>(4)</sup>
- 1mm metal frame with 1mm metal door<sup>(5)</sup>
- Horizontal and vertical fixing lugs<sup>(6)</sup>
- Clean welds<sup>(7)</sup>
- Pre Primed Finish
- Individually packaged

\*Safety chain not included on 300mm x 300mm panel



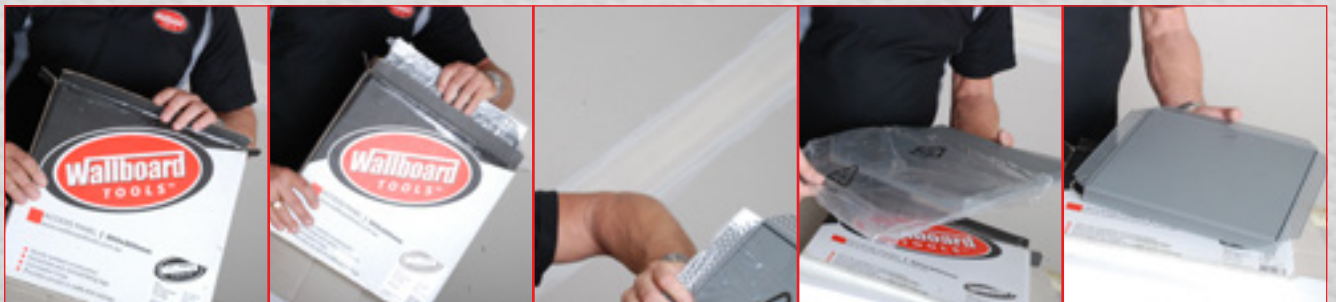
## SPECIFICATIONS



## PRODUCT INFORMATION

Code	Description	Ctn Qty	Barcode
MAP-3030-S	Access Panel 300x300mm Metal Set Bead Budget Lock	5	9315778996365
MAP-4545-S	Access Panel 450x450mm Metal Set Bead Budget Lock	5	9315778996372
MAP-5656-S	Access Panel 560x560mm Metal Set Bead Budget Lock	5	9315778999069
MAP-6060-S	Access Panel 600x600mm Metal Set Bead Budget Lock	5	9315778996402
MAP-3030-F	Access Panel 300x300mm Metal Flanged Budget Lock	5	9315778996303
MAP-4545-F	Access Panel 450x450mm Metal Flanged Budget Lock	5	9315778996310
MAP-5656-F	Access Panel 560x560mm Metal Flanged Budget Lock	5	9315778999076
MAP-6060-F	Access Panel 600x600mm Metal Flanged Budget Lock	5	9315778996341
MAP-3030-ST	Access Panel 300x300mm Metal Set Bead Tip Latch	5	9315778999083
MAP-4545-ST	Access Panel 450x450mm Metal Set Bead Tip Latch	5	9315778999090
MAP-5656-ST	Access Panel 560x560mm Metal Set Bead Tip Latch	5	9315778999106
MAP-6060-ST	Access Panel 600x600mm Metal Set Bead Tip Latch	5	9315778999113
MAP-3030-FT	Access Panel 300x300mm Metal Flanged Tip Latch	5	9315778999120
MAP-4545-FT	Access Panel 450x450mm Metal Flanged Tip Latch	5	9315778999137
MAP-5656-FT	Access Panel 560x560mm Metal Flanged Tip Latch	5	9315778999144
MAP-6060-FT	Access Panel 600x600mm Metal Flanged Tip Latch	5	9315778999151

This range of access panels is packaged individually to avoid damage.



For more information contact Wallboard Tools:

P: 1300 653 177 | F: 1300 657 442 | E: sales@wallboardtools.com.au | [www.wallboardtools.com.au](http://www.wallboardtools.com.au)



# Access Panel Range

MDF Standard

**APPLICATION:** Wallboard Tools MDF standard access panels allow access behind walls or ceilings where fire and sound rating is not required.

## FEATURES:

- Exposed flanged finish<sup>(1)</sup> or ready to set surround<sup>(2)</sup>
- Slotted budget lock<sup>(3)</sup>
- Concealed hinges<sup>(4)</sup>
- Clean welds<sup>(5)</sup>
- 1mm metal frame with removable MDF-HMR door<sup>(6)</sup>
- Horizontal and vertical fixing lugs<sup>(7)</sup>
- Pre Primed Finish
- Individually packaged

